



TECH TO INDUSTRY

PANEL PC SEYPOS K767-D36-D66



IP66



FANLESS



WiFi



MSR



Ultra Slim,
48mm Thickness



True-Flat Resistive Gesture Touch
True-Flat Projected Capacitive
Multi-Touch



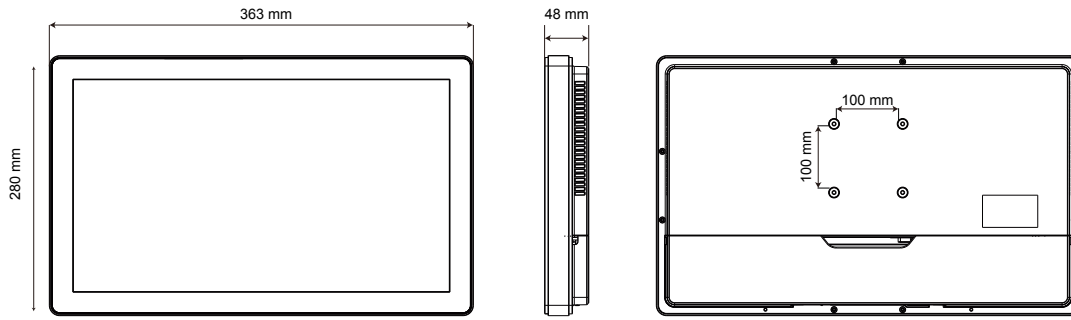
Rich I/O Ports Provide
Excellent Peripheral Connectivity



Aluminum Die Casting

Features

- 15" True-Flat Resistive or PCAP Touch
- Intel Bay Trail or Haswell Processor
- Front IP65
- Fanless is Available for Intel Bay Trail
- Webcam Available
- WiFi + BT Available
- MSR Available
- Device Box (Smart IC Card Reader, RFID, Scanner, Line-out, Mic-in) Available



Specification

Motherboard	Type Processor Chipset System Memory Memory Socket Graphic Engine	D36* Intel Bay Trail CPU Celeron J1900, Quad Core 2G/2.41G CPU Integrated DDR3L 1333MHz (max. 8G) 1x SO-DIMM Intel HD Graphic	D66 Intel Haswell CPU (max. 45W) Intel Q87 (AMT 9.0) DDR3 1333MHz (max. 8G) 1x SO-DIMM Intel HD Graphic
LCD Touch Panel	LCD Size Brightness Resolution Touch Screen	15" (4:3 ratio) 350 nits 1024 x 768 True-Flat Resistive or PCAP Touch	15" (4:3 ratio) 350 nits 1024 x 768 True-Flat Resistive or PCAP Touch
Storage Device	HDD/ SSD Flash Memory	1x 2.5" SATA SATA Slim SSD 8G/ 16G/ 32G/ 64G (Option)	1x 2.5" SATA SATA Slim SSD 8G/ 16G/ 32G/ 64G (Option)
Expansion	Mini PCI-E Socket	1	1
External I/O Ports	USB Serial Port LAN Audio Jack VGA DVI	1x USB3.0, 4x USB2.0 4x RJ48 (with DB9 convert cable) 2x RJ45 1x Line-out 1x DB15 1x DVI-D (Option)	2x USB3.0, 4x USB2.0 4x RJ48 (with DB9 convert cable) 2x RJ45 1x Line-out, 1x Mic-in 1x DB15 1x DVI-D(Option)
Audio	Internal Speaker	1x 2W	1x 2W
Power	Power Adapter Wide Range Power Input Connector	65W / 19V 12-48V 4-pole DIN (with latch)	120W / 19V 12-48V 4-pole DIN (with latch)
Peripheral (Option)	WiFi + BT MSR	802.11 b/g/n WLAN card + BT 4.0 3-Track MSR (USB)	802.11 b/g/n WLAN card + BT 4.0 3-Track MSR (USB)
Certificate	EMC & Safety Medical	FCC Class A, CE Mark, LVD N/A	FCC Class A, CE Mark, LVD EN 60601-1, UL 60601-1 3rd
Environment	Ventilation Dust & Water Proof Operating Temperature Storage Temperature Humidity	Fanless Front IP65 0°C ~ 35°C (32°F ~ 95°F) (Still Air) -20°C ~ 60°C (-4°F ~ 140°F) 20% ~ 85% RH non-condensing	Fan Front IP65 0°C ~ 35°C (32°F ~ 95°F) (Still Air) -20°C ~ 60°C (-4°F ~ 140°F) 20% ~ 85% RH non-condensing
Dimension (WxDxH)		363 x 48 x 280 mm (14.3" x 1.9" x 11.0")	
Weight		4.9 kg (10.8 lbs)	
Mounting		VESA Mount 100 x 100	
OS Supported		Windows 7 (32/64bit), Windows 8.1 (32/64bit), Windows 10 (64bit), Linux	