



TECH TO INDUSTRY

PANEL PC SEYPOS K75D



500 nits



IP66



WiFi

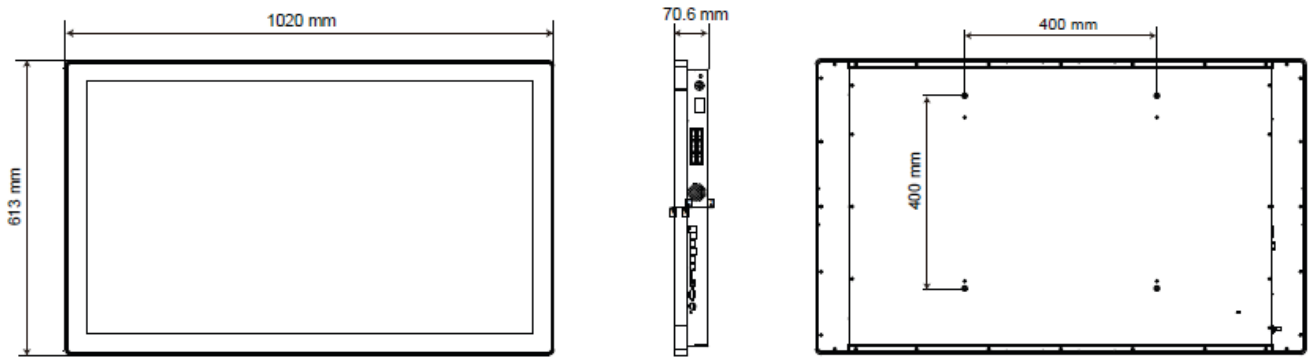


DEVICE BOX



Features

- 42" True-Flat PCAP Touch
- Intel Skylake U Processor
- Front IP54
- Device Box (Smart IC Card Reader, RFID, Scanner, Line-out, Mic-in) Available



Specification

Motherboard	Type Processor System Memory Graphic Engine	D86U Intel Skylake U CPU DDR3L 1600MHz (max. 8G) Intel HD Graphic DX12, define on CPU
LCD Touch Panel	LCD Size Brightness Resolution Touch Screen	42" (16:9 ratio) 500 nits 1920 x 1080 True-Flat PCAP Multi-Touch
Storage Device	HDD/ SSD Flash Memory	2x 2.5" SATA SATA SSD 8G/ 16G/ 32G/ 64G (Option)
External I/O Ports	USB Serial Port LAN VGA Audio Line-out (fly cable)	4x USB3.0, 2x USB2.0 3x RJ48 (default 0V; 0V/5V/12V) 1x RJ45 1x DB15 1
Audio	Internal Speaker	2x 3W
Power	Power Adapter	100 ~ 240VAC, 50/60Hz
Peripheral (Option)	Device Box	Smart IC Card Reader, RFID, Scanner, Line-out, Mic-in
Certificate	EMC & Safety	FCC Class A, CE Mark, LVD
Environment	Ventilation Dust & Water Proof Operating Temperature Storage Temperature Humidity	Fanless Front IP54 0°C ~ 35°C (32°F ~ 95°F) (Still Air) -20°C ~ 60°C (-4°F ~ 140°F) 20% ~ 85% RH non-condensing
Dimension (WxDxH)		1020 x 70.6 x 613 mm (40.2" x 2.8" x 24.1")
Weight		27.6 kg (60.9 lbs)
Mounting		VESA Mount 400 x 400
OS Supported		Windows 7 (64bit), POSReady 7 (64bit), Windows 8.1 (64bit), Windows Embedded 8.1 Industry (64bit), Windows 10 (64bit), Windows 10 IoT Enterprise (64bit), Linux